



**KARNATAKA ANTIBIOTICS &
PHARMACEUTICALS LIMITED**

(A Government of India Enterprise)

| | |
|------------------|-------------------------|
| ENQUIRY REF. No. | K-E&P/SR/2353/2024-25 |
| DATE | 06.02.2025 |
| DUE DATE | 11.02.2025 till 1:00 PM |

Dear Sir,

Please submit your lowest and competitive offer in a SEALED ENVELOPE, DULY SUPERSCRIBING OUR ABOVE ENQUIRY REF. NO., DATE and DUE DATE on it. Mentioned other details of F.O.R terms, Taxes, Credit period, Delivery offered, Name of the Make, Detailed Specification etc., for the below Supply or Service

| SI No | Item Code | Item Description | Uom | Qty |
|--|-----------|--|-----|-----|
| FABRICATION & SUPPLY OF FILLING HOPPER SPARES FOR DPP3 DEPT | | | | |
| 01 | | SMALL AGITATOR SHAFT (MOC:SS316L) | NOS | 02 |
| 02 | | SMALL AGITATOR COUPLER (MOC:SS316L) | NOS | 02 |
| 03 | | SMALL AGITATOR SHAFT WITH HARD CHROME PLATING (MOC:SS316L) | NOS | 02 |

DETAILS AS MENTIONED IN THE REPAIR ADVICE NOTE ENCLOSED

Please ensure that your offer reaches us on or before Due Date by courier OR Speed post or by Hand in sealed cover to below office address or email to puren@gmail.com:

M/s. Karnataka Antibiotics and Pharmaceuticals Limited
Plot No.37, Arka The Business Centre, NTTF Main Road, Peenya Industrial Area
2nd Phase, Bengaluru-560058 Ph. No.080-23571590

NOTE:

01. PLEASE VISIT OUR SITE FOR BETTER UNDERSTANDING THE SCOPE OF WORK
02. IF YOU ARE NOT PARTICIPATING IN THE TENDER PLEASE SEND A REGRET LETTER.
03. VENDOR HAS TO QUOTE AS PER OUR TENDER IN YOUR COMPANY LETTER HEAD.
04. QUOTATION MUST BE SUBMITTED IN TWO SEALED COVERS (TECHNICAL & COMMERCIAL BID) SEPARATELY AND TO BE PLACED IN ONE ENVELOPE OR ELSE YOUR PROPOSAL WILL NOT BE CONSIDERED.

IF YOU NEED ANY CLARIFICATION, PLEASE CONTACT US.

Thanking you,

Yours faithfully,
For KARNATAKA ANTIBIOTICS
& PHARMACEUTICALS LIMITED

YUVARAJA. M
DY. MANAGER – PURCHASE DEPT.
MOB: 9945317873

KARNATAKA ANTIBIOTICS AND PHARMACEUTICALS LIMITED

REPAIR ADVICE NOTE/INTER DEPARTMENTAL NOTE

Page : 1 of 1

From Dept : E&P.

RAN Number : 2025F00058

To Dept : PURCHASE.

For Dept : DPP3.

RAN Date : 15/01/2025

Budget Type : Operational Budget

Status : GENERATED

Sub Matter : FABRICATION & SUPPLY OF FILLING HOPPER SPARES FOR DPP3 DEPT.

Engg Name : RAMU/SHIVACHIDAMBARA

Mob Numbr : 9738362903/8892343950

Sl No Advice Description

- 1 SMALL AGITATOR SHAFT LOCK (MOC : SS316L) :- 2NOS.
- 2 SMALL AGITATOR COUPLER (MOC : SS316L) :- 2NOS.
- 3 SMALL AGITATOR SHAFT WITH HARD CHROME PLATING (MOC : SS316L) :- 2NOS.

-----REMARKS-----

iii Concurrence of Finance wing to the proposal vide.....

iv Approval of the competent authority vide.....

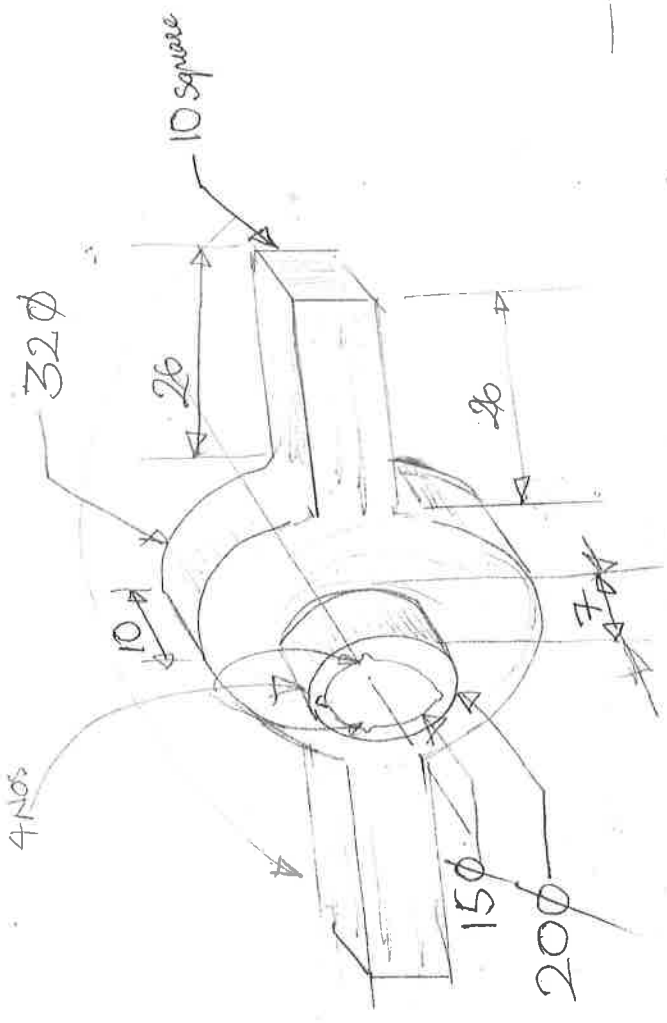
Date: 16/01/2025

Place: Bengaluru.

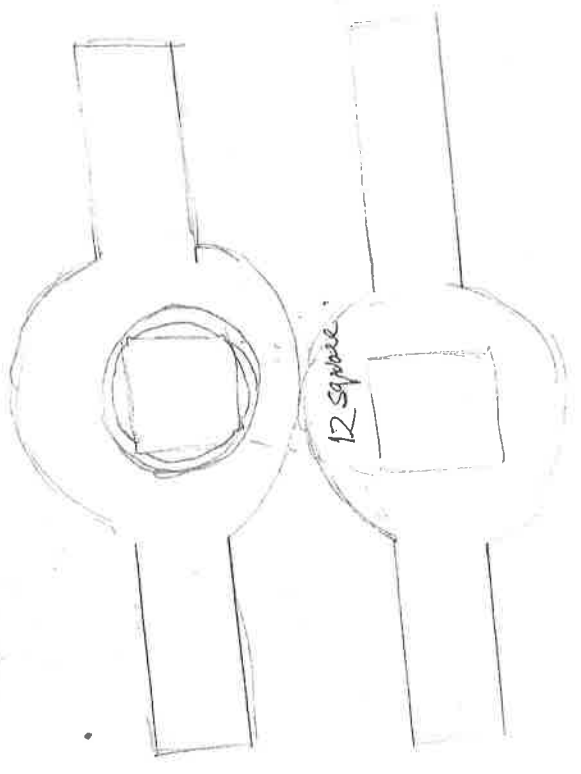
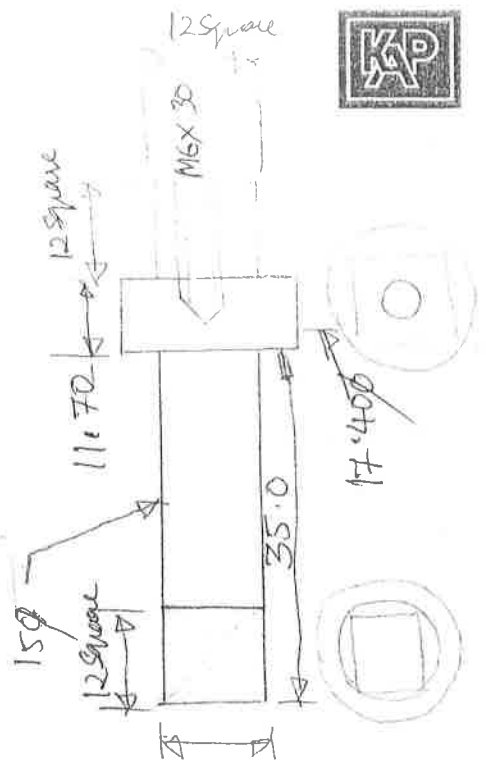
W. Ab 15/01/2025
DGM (KDP)
Signature with date and designation of the Indenting Officer

2.9.0

RELIEF FOR 10 Square



DPP III HOPPER WELL AS
UNITS FOR CONNECT
Materials: S.S. 316L
Nos: 2 Nos.



COUPLER FOR DPP IN FILLING W/C WELL AGITATOR
 MATERIAL: S.S. 316L
 NOS : TWO NOS

