



**KARNATAKA ANTIBIOTICS &
PHARMACEUTICALS LIMITED**

(A Government of India Enterprise)

ENQUIRY REF. No.	KAPL/CG/011/1851
DATE	19/11/2024
DUE DATE	27/11/2024(13.00HRS)

Dear Sir,

Please submit your lowest and competitive offer in a SEALED ENVELOPE, DULY SUPERSCRIBING OUR ABOVE ENQUIRY REF. NO., DATE and DUE DATE on it. Mentioned other details of F.O.R terms, Taxes, Credit period, Delivery offered, Name of the Make, Detailed Specification etc., for the below Supply or Service

SL. NO.	ITEM CODE	ITEM DESCRIPTION	UOM	QTY.
01	TNP1167	PUNCH & DIE CABINET 'B' TOOL SS304 / 18-16-12 SWG	NOS	02
02	CNP/OSDTR	PUNCHES & DIES TROLLEY - SS 304 - 60 NOS	NOS	01

Please ensure that your offer reaches us on or before Due Date by courier OR Speed post or by Hand in sealed cover only to below office address:

M/s. Karnataka Antibiotics and Pharmaceuticals Limited Plot No.37, Arka The Business Centre, NTT Main Road, Peenya Industrial Area 2nd Phase, Bengaluru-560058 Ph. No.080-23571590

OTHER TERMS:

- | | |
|---------------------------------|------------------|
| 1. F.O.R TERMS | : DOOR DELIVERY |
| 2. GST % | : PLEASE SPECIFY |
| 3. PACKING & FORWARDING CHARGES | : NOT APPLICABLE |
| 4. CREDIT PERIOD | : 30 DAYS |
| 5. DELIVERY OFFERED | : PLEASE SPECIFY |
| 6. ANNEXURE | : 2 PAGES |

NOTE:

01. IF YOU ARE NOT PARTICIPATING IN THE TENDER PLEASE SEND A REGRET LETTER.

02. VENDOR HAS TO QUOTE AS PER OUR TENDER IN YOUR COMPANY LETTER HEAD.

03. QUOTATION MUST BE SUBMITTED IN TWO SEALED COVERS (TECHNICAL & COMMERCIAL/PRICE BID) SEPARATELY AND IN ONE ENVELOPE OR ELSE YOUR PROPOSAL WILL NOT BE CONSIDERED.

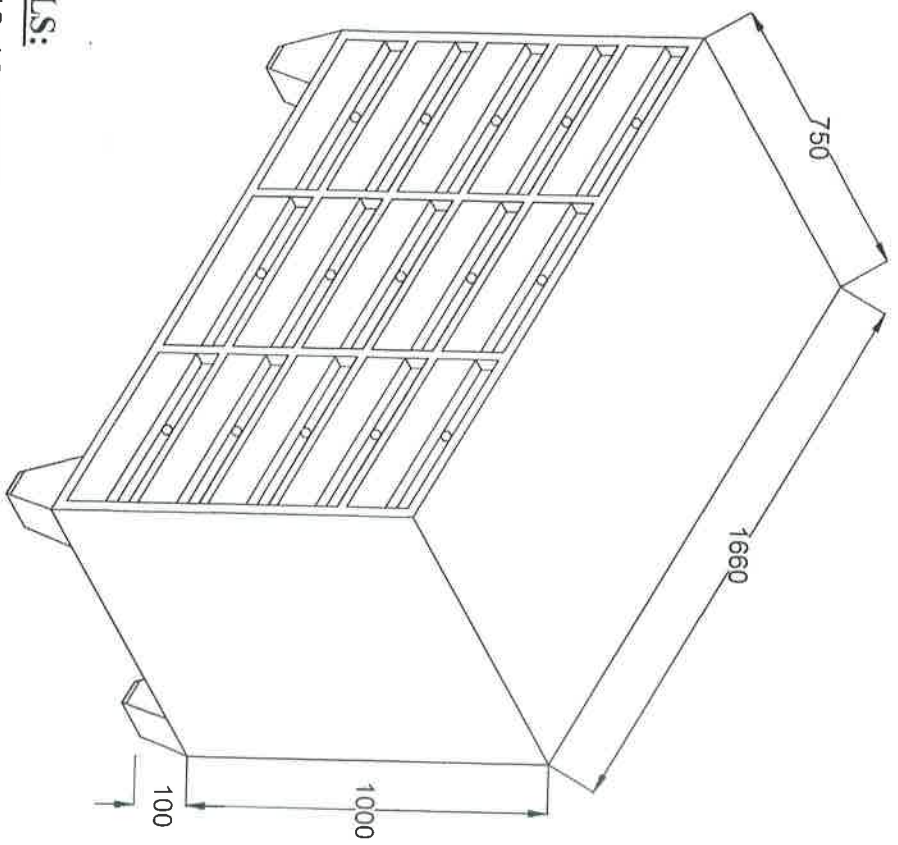
IF YOU NEED ANY CLARIFICATION, PLEASE CONTACT US.

Thanking you,

Yours faithfully,
For KARNATAKA ANTIBIOTICS
& PHARMACEUTICALS LIMITED

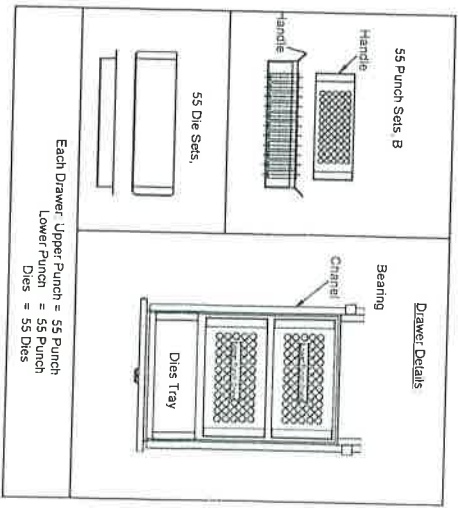
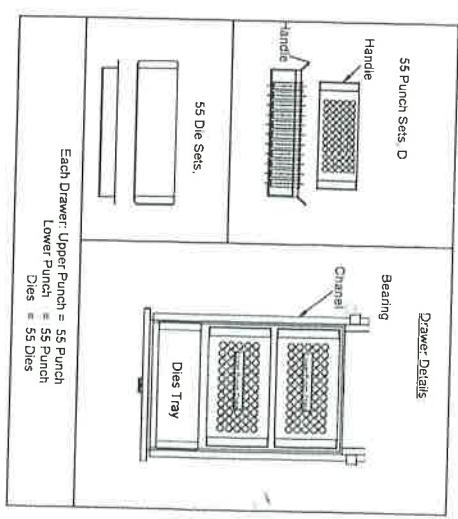
YUVARAJA. M
DY. MANAGER – PURCHASE DEPT.
MOB: 9945317873

Item No. 01 : SS Punch & Die Cabinet - 15 Drawers - 55 Sets - 5 Drawer for D Tooling & 10 Drawer for B Tooling
Qty: - Inos



ITEM DETAILS:

MOC: SS 304/12-16-18 Swg.
 Finish: Matt Finish.
 Details: 15 Drawers - 55 Sets - 10 Drawer for "B" Tooling & 5 Drawer for "D" Tooling
 Each Drawer: 55 Upper & 55 Lower Punch + 55 Dies.
 Total: 1650 Punch & 825 Dies.
 Each drawer with 4 Bearings for smooth sliding,
 * with common key, Nylon Bush to legs.



Karnataka Antibiotics & Pharmaceuticals Ltd.

CUST NAME: Pravekure - 01 (B)

SCALE: DATE:

DWN:

CHK:

Deal
 base sh
 DATE
 details
 ITE
 NP/1
 SDT
 r rea
 harm
 1600
 F
 F
 C
 H
 H
 H

A B C D E F G H I J HE

1

55 SETS "D" TOOLING

780

500

915

25MM OD PIPE

25MM SQ PIPE

stiffener

PU WHEEL 3"X1"

55 SETS "D" TOOLING
1 SIDE UPPER PUNCH TRAY
1 SIDE LOWER PUNCH TRAY
& 1 NO. DIE TRAY

Karnataka Antibiotics & Pharmaceuticals Ltd.

Annexure - 02

CUST. APPR. DATE:

DWG #

C D E F G H I J H

6

5

4

3

2