



**KARNATAKA ANTIBIOTICS &
PHARMACEUTICALS LIMITED**

(A Government of India Enterprise)

ENQUIRY REF. No.	KAPL/ME/013/1368
DATE	19/09/2024
DUE DATE	19/09/2024(23.59HRS)

Dear Sir,

Please submit your lowest and competitive offer in a SEALED ENVELOPE, DULY SUPERSCRIBING OUR ABOVE ENQUIRY REF. NO., DATE and DUE DATE on it/ OR MAIL, with other details of F.O.R terms, Taxes, Credit period, Delivery offered, Name of the Make, Detailed Specification etc., for below mentioned material/s.

SL. NO.	ITEM CODE	ITEM DESCRIPTION	UOM	QTY.
01	MMCF0022	TURRET RING (SAP NO: WFE27037Z)	NOS	01

Please ensure that your offer reaches us on or before Due Date by courier OR Speed post OR you can also mail us to our email: puren@kaplindia.com.

OTHER TERMS:

- | | |
|---------------------------------|------------------|
| 1. F.O.R TERMS | : DOOR DELIVERY |
| 2. GST % | : PLEASE SPECIFY |
| 3. PACKING & FORWARDING CHARGES | : NOT APPLICABLE |
| 4. CREDIT PERIOD | : 30 DAYS |
| 5. DELIVERY OFFERED | : PLEASE SPECIFY |

NOTE: IN CASE YOU ARE NOT QUOTING PLEASE SEND THE REGRET LETTER.
NOTE: PLEASE MENTION OUR CODE IN YOUR QUOTATION

Thanking you,

Yours faithfully,
For KARNATAKA ANTIBIOTICS
& PHARMACEUTICALS LIMITED


YUVARAJA M
DEPUTY MANAGER PURCHASE DEPT

ENGINEERING AND PROJECT DEPARTMENT

MATERIAL REQUISITION

Date: 18/09/2024

Engg. Stores

V.V. Urgent

Through : HOD - E&P

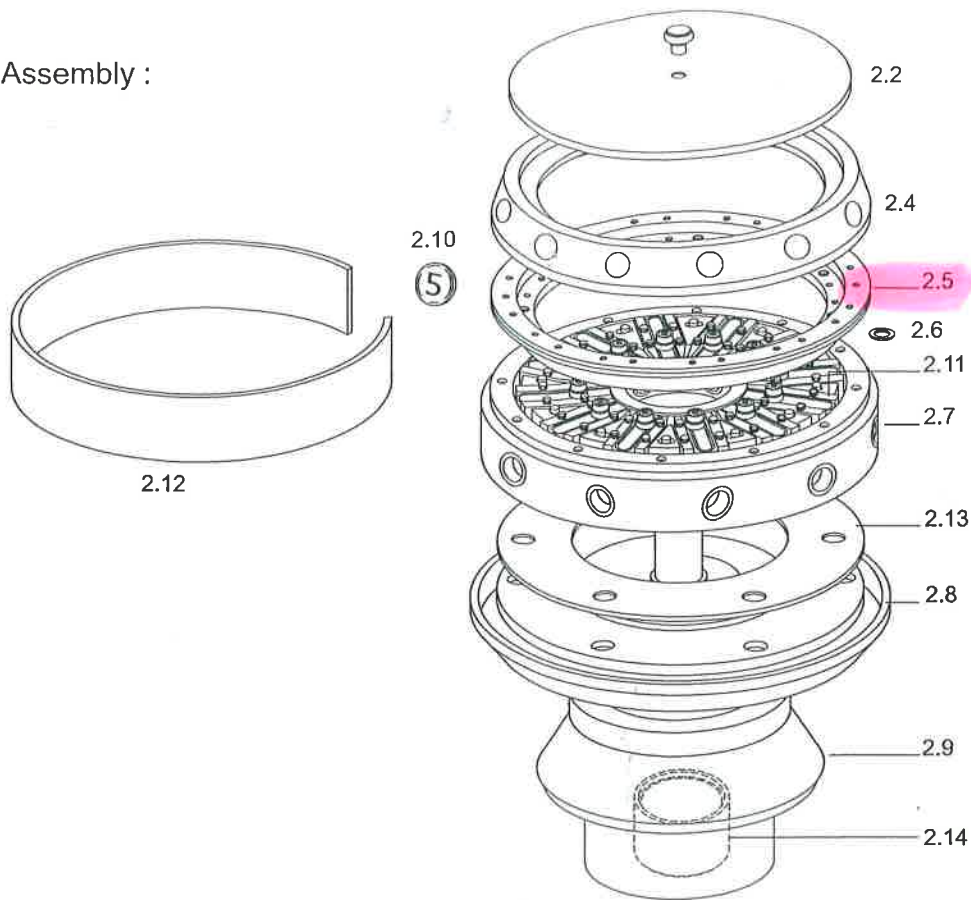
Machine Name and Details : AF150T Automatic Capsule Filling Machine .
 Section : NP- Section.

Following are the details :

Sl. No. : 2254

Sl. No.	Item Code No.	Item Description	UOM	Qty.	Required Date	P.R. No. & Date	Remarks
1.		Sap Part Number WFE27037Z. Turret Ring Make :- ACG Model :- AF150T Automatic Capsule Filling Machine.	Nos	01.			Material required for AF150T Automatic capsule Filling Machine.

Turret Assembly :



Sr. No.	Sap Part Number	Description	Qty.	Drg/Old Part No.
	WFE00161Z	Turret Assembly	1	FE00161140
2.1	WFA37002Z	Male Knob	1	FA37002140
2.2	WFA71000Z	Cover	1	FA71000148
2.4	WFE11075Z	Turret Cover	1	FE11075148
2.5	WFE27037Z	Turret Ring	1	FE27037140
2.6	WFA23045Z	Washer	6	FA23045140
2.7	WFA11000Z	Turret	1	FA11000140
2.8	WFA27001Z	Bottom Dish	1	FA27001140
2.9	WFA11003Z	Housing	1	FA11003140
2.10	WFE82005Z	Number Plate	1 SET	FE82005140
2.11	WFA53000Z	Guide Plate	24	FA53000140
2.12	WFE71046Z	Cover (for Turret)	1	FE71046140
2.13	WFA64002Z	Spacer	1	Fa64082140
2.14	W108512Z	Spindle Spacer(FOR FA11003)	1	108512-001