



**KARNATAKA ANTIBIOTICS &  
PHARMACEUTICALS LIMITED**

(A Government of India Enterprise)

ENQUIRY REF. No.	KAPL/CG/011/1273
DATE	05/09/2024
DUE DATE	13/09/2024 till 1:00 PM

Dear Sir,

Please submit your lowest and competitive offer in a SEALED ENVELOPE, DULY SUPERSCRIBING OUR ABOVE ENQUIRY REF. NO., DATE and DUE DATE on it. Mentioned other details of F.O.R terms, Taxes, Credit period, Delivery offered, Name of the Make, Detailed Specification etc., for the below Supply or Service

Sl No	ItemCode	Item Description	Uom	Qty
01	QCSPEX002	SPOT EXTRACTORS WITH CONSUMABLES AND INSTALLATION	NOS	02

**Please ensure that your offer reaches us on or before Due Date by courier OR Speed post or by Hand in sealed cover only to below office address:**

*M/s. Karnataka Antibiotics and Pharmaceuticals Limited  
Plot No.37, Arka The Business Centre,NTTF Main Road, Peenya Industrial Area  
2<sup>nd</sup> Phase, Bengaluru-560058 Ph. No.080-23571590*

**OTHER TERMS:**

- |                                 |                  |
|---------------------------------|------------------|
| 1. F.O.R TERMS                  | : DOOR DELIVERY  |
| 2. GST %                        | : PLEASE SPECIFY |
| 3. PACKING & FORWARDING CHARGES | : NOT APPLICABLE |
| 4. CREDIT PERIOD                | : 30 DAYS        |
| 5. DELIVERY OFFERED             | : PLEASE SPE     |

**NOTE:**

01. IF YOU ARE NOT PARTICIPATING IN THE TENDER PLEASE SEND A REGRET LETTER.

02. VENDOR HAS TO QUOTE AS PER OUR TENDER IN YOUR COMPANY LETTER HEAD.

**03. QUOTATION MUST BE SUBMITTED IN TWO SEALED COVERS (TECHNICAL & COMMERCIAL/PRICE BID) SEPARATELY AND IN ONE ENVELOPE OR ELSE YOUR PROPOSAL WILL NOT BE CONSIDERED.**

**IF YOU NEED ANY CLARIFICATION, PLEASE CONTACT US.**

Thanking you,

Yours faithfully,  
For KARNATAKA ANTIBIOTICS  
& PHARMACEUTICALS LIMITED

  
YUVARAJA. M  
DY. MANAGER – PURCHASE DEPT.  
MOB: 9945317873



<b>Karnataka Antibiotics and Pharmaceuticals Limited, Bengaluru</b>	<b>User Requirement Specifications</b>
<b>QUALITY CONTROL DEPARTMENT</b>	
<b>SPOT EXTRACTOR FOR LABORATORY</b>	

### 1. Purpose

A spot extractor is mainly used to extract the fumes generated from different chemicals and activities in the laboratory. Spot Extractor is mounted on the ceiling and further connected to the ducting system to ensure all fumes are extracted out of the laboratory environment for safety.

### 2. Description and Quantity

Description	Number of Units required
SPOT EXTRACTOR FOR LABORATORY	2 units for General QC & Cephalosporin QC

### 3. User Specifications

#	Features	Specification
1.	Spot extractor	It shall contain joints, joint seal ring, support spring/centre bolt, adjustable joint knob, Air flow control, hood, Rigid flexible duct, bracket and operating module in a single compact system unit.
2.	colour	White
3.	Type	Ceiling/wall mounted
4.	Size	Standard/ as per requirements.
5.	Usage	To remove solvent vapours from the Pharmaceutical laboratory.
6.	Joints	Spot extractor has an inbuilt damper with a movable arm for easy access. High grade PP, to be 360° swivelled, dismantled & assembled easily for cleaning.
7.	Joint seal ring	Should be High-density anti-aging rubber.
8.	Support spring/centre bolt	Should be stainless steel 304.
9.	Adjustable joint knob	Should be high grade PP with a moulded-in brass nut locking with centre bolt.
10.	Air flow control valve	Adjustable external valve knob auto/ manually to control the entering of the gas flow.
11.	Dome/cup hood	Approx. D375mm/200mm or as per requirement, high grade PP grey & transparent required.
12.	Rigid Flexible Duct	Minimum D75mm PVC/PP or as per requirement.
13.	Bracket	Should be high grade PP/brass (ceiling/wall mounted).
14.	Feature	Durable and easy to clean.



**PP Blower Technical specification.**

→	Voltage:	AC 220v
→	Static pressure:	290pa
→	Speed:	1250 r / min
→	Air volume:	2300m <sup>3</sup> /h
→	CFM :	1350 CFM
→	Power:	300w
→	Frequency:	50/60Hz
→	Noise:	60db or below 75db
→	Exhaust aperture:	φ 250mm

**4. Service, Warranty and Training**

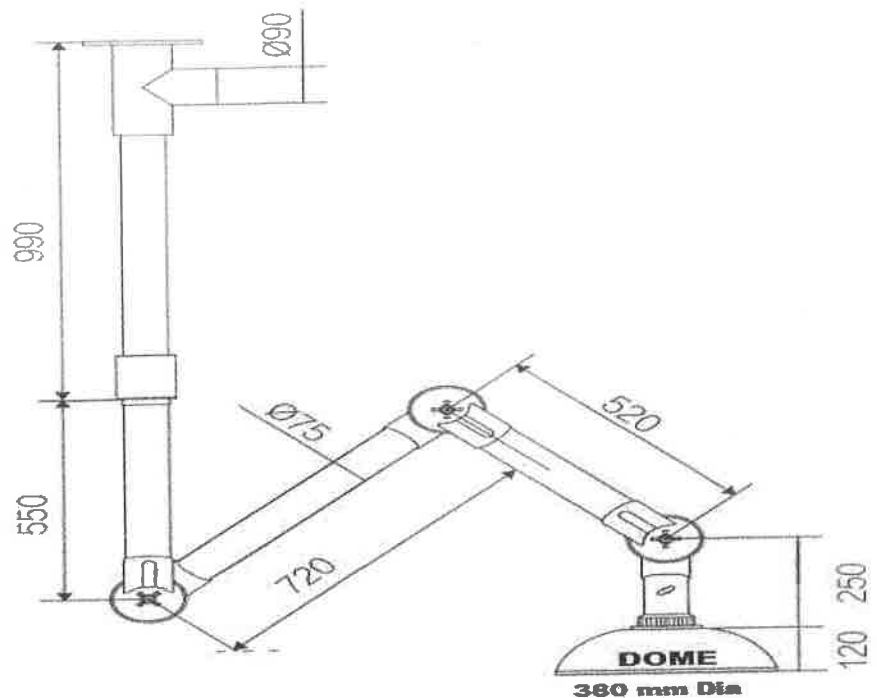
1. Training (at least 4 Users) at Customer's location.
2. On-site installation, commissioning and training shall be conducted by a qualified factory-Trained Engineer.
3. Warranty for equipment for a period of 24 months.
4. Vendor to provide both on-site and analyst training for users on the system start-up, usage, maintenance, trouble shooting, etc.

**5. Others**

1. Cleaning and change over must be less than 2 hours.
2. Vendor must invite KAPL team member/s for a demo of similar equipment at their facility.



## 6. Pictorial diagram:



## 7. Scope of Installation

Training must be provided by the vendor, to the satisfaction of KAPL team.

## 8. Warranty

3 years warranty or as per PO terms and conditions.

## 9. Documentation

- Documentation - Supplier shall provide the following documents in English language.
  - Operational and maintenance manual
  - Draft Standard Operating Procedures
  - Test certificates
  - Installation and operational protocols
  - Calibration certificates

## 10. Scope of Training

- The vendor/supplier shall provide operator training at site at no extra cost. This shall include, but not limited to, making available the services of a qualified representative to train the operators.
- The training of the personnel shall include a minimum of the following to the complete satisfaction of KAPL team:
  - Typical operations
  - Emergency shutdown
  - Safety training
- The vendor/supplier shall ensure that the operation manual is available



at site for reference. The vendor/supplier shall issue certificates to the persons trained by them after successful completion of training at no extra cost.

***11. Installation and commissioning***

The vendor/supplier shall ensure the correct positioning, to the satisfaction of KAPL and be responsible for the installation of the equipment, which includes IQ/OQ and PQ.

The vendor/supplier shall also be responsible for the re-assembly of sections or components of the packaged equipment, if any, including wiring, instrumentation and any other equipment and components shipped separately or in sections.