



ENQUIRY REF. No.	K-E&P/SR/1021/2024-25
DATE	05.08.2024
DUE DATE	08.08.2024 till 1:00 PM

Dear Sir,

Please submit your lowest and competitive offer in a **SEALED ENVELOPE**, DULY SUPERSCRIBING OUR ABOVE ENQUIRY REF. NO., DATE and DUE DATE on it. Mentioned other details of F.O.R terms, Taxes, Credit period, Delivery offered, Name of the Make, Detailed Specification etc., for the below Supply or Service

Sl No	Item Code	Item Description	Uom	Qty
01	---	Plain brass bush	Nos.	02
02	---	Brass Bush	Nos.	16
03	---	Brass Journal Bush	Nos.	04
04	---	Oilon bush with brass bush pressed	Nos.	08
05	---	Flat for tightening grub SS304 pin	Nos.	04
06	---	Brass bush	Nos.	02
07	---	Brass Star Coupler	Nos.	04

Please ensure that your offer reaches us on or before Due Date by courier OR Speed post or by Hand in sealed cover only to below office address:

**M/s. Karnataka Antibiotics and Pharmaceuticals Limited**  
**Plot No.37, Arka The Business Centre,NTTF Main Road, Peenya Industrial Area**  
**2<sup>nd</sup> Phase, Bengaluru-560058 Ph. No.080-23571590**

NOTE:

01. PLEASE VISIT OUR SITE FOR BETTER UNDERSTANDING THE SCOPE OF WORK
02. IF YOU ARE NOT PARTICIPATING IN THE TENDER PLEASE SEND A REGRET LETTER.
03. VENDOR HAS TO QUOTE AS PER OUR TENDER IN YOUR COMPANY LETTER HEAD.
04. QUOTATION MUST BE SUBMITTED IN TWO SEALED COVERS (TECHNICAL & COMMERCIAL BID) SEPARATELY AND IN ONE ENVELOP OR ELSE YOUR PROPOSAL WILL NOT BE CONSIDERED.

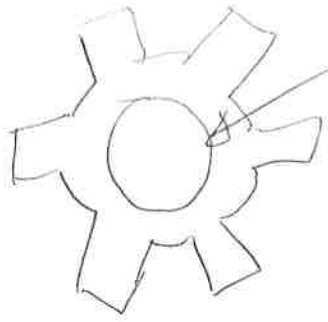
IF YOU NEED ANY CLARIFICATION, PLEASE CONTACT US.

Thanking you,

Yours faithfully,  
For KARNATAKA ANTIBIOTICS  
& PHARMACEUTICALS LIMITED

YUVARAJA. M  
DY. MANAGER – PURCHASE DEPT.  
MOB: 9945317873

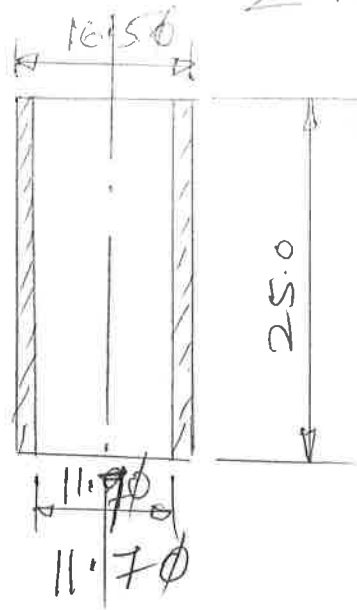
RECEIVED BRASS STAR



26.0 I'D TO BE BORED.

BRASS BUSH

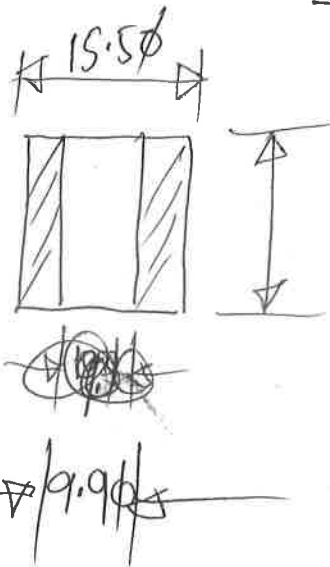
— 2 Nos. (Jet index Box)



BRASS BUSH

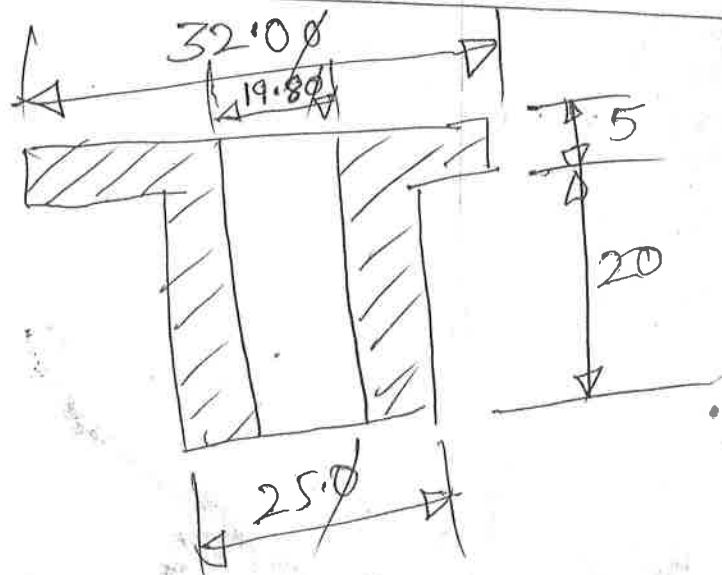
BRASS BUSH —

— 16 Nos. (Jet index Box)



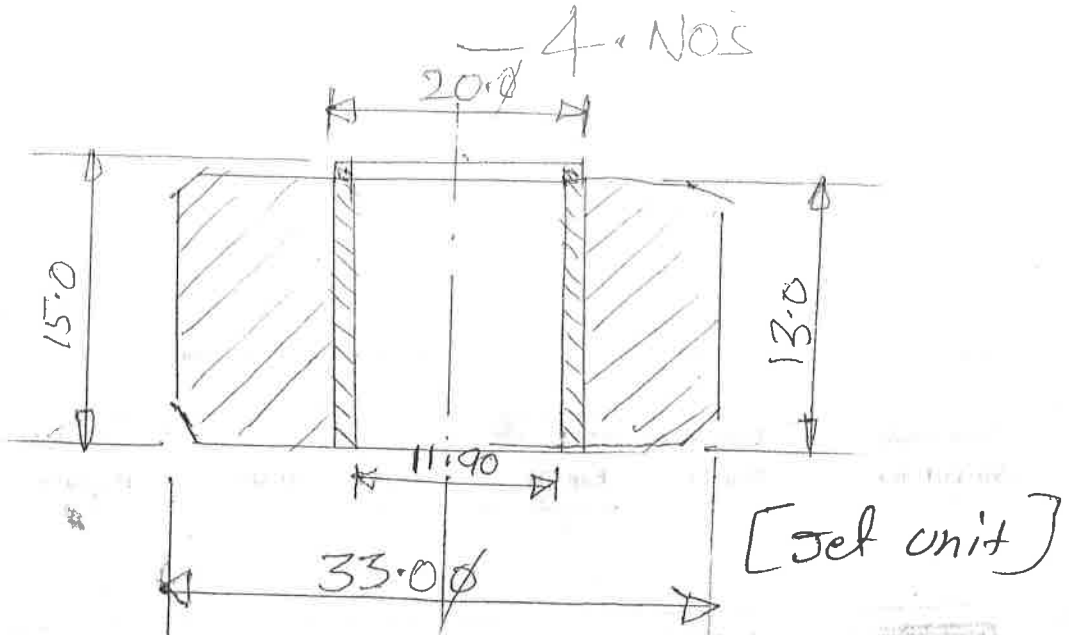
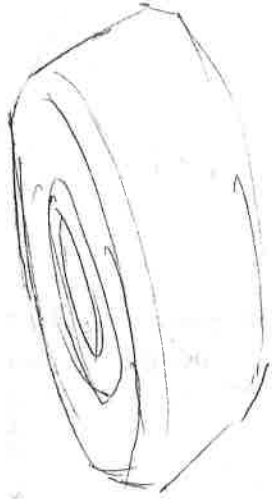
BRASS JOURNAL BUSH

— 40 Nos.

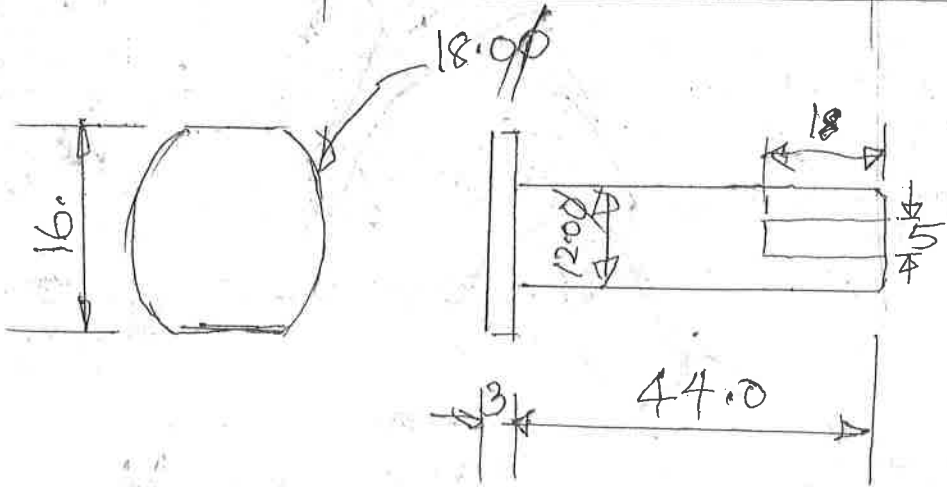
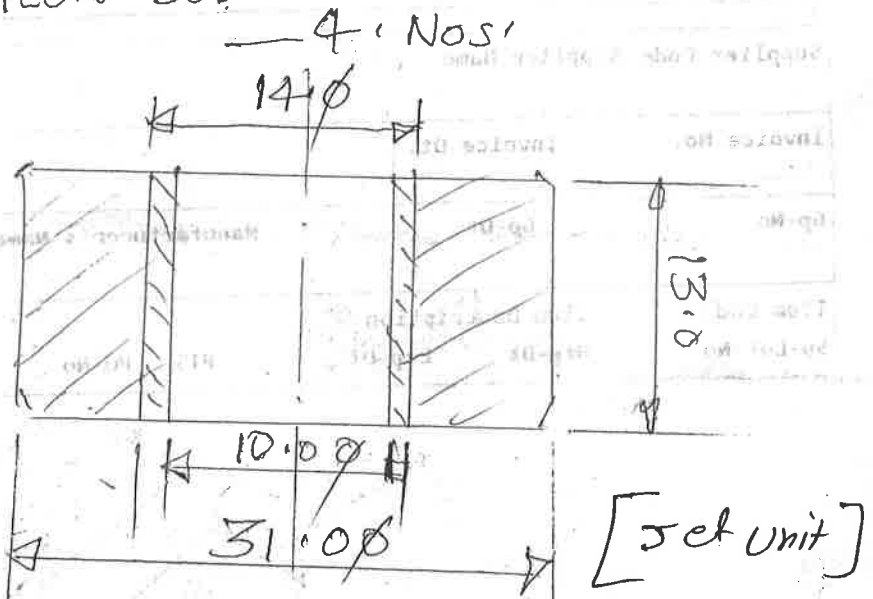
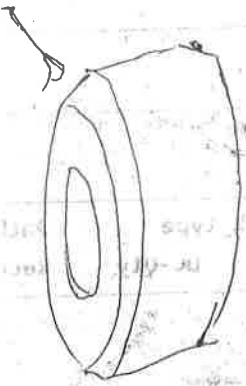


Worm holding

OILON BUSH WITH BRASS BUSH PRESSED



OILON BUSH WITH BRASS BUSH PRESSED

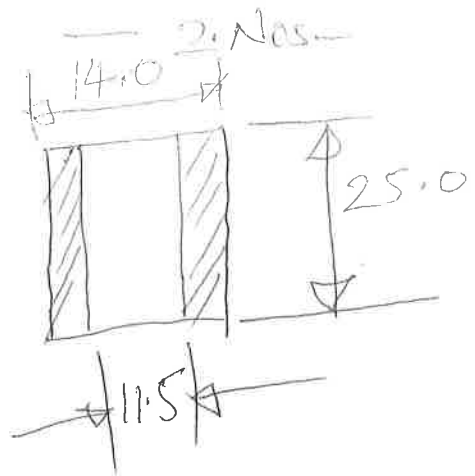


GRUB

SS PIN

lifter mechanism

BRASS SCREW



lifters