



**KARNATAKA ANTIBIOTICS &
PHARMACEUTICALS LIMITED**

(A Government of India Enterprise)

ENQUIRY REF. No.	K-E&P/SR/0750/2024-25
DATE	27.06.2024
DUE DATE	01.07.2024 till 1:00 PM

Dear Sir,

Please submit your lowest and competitive offer in a SEALED ENVELOPE, DULY SUPERSCRIBING OUR ABOVE ENQUIRY REF. NO., DATE and DUE DATE on it/ OR MAIL, with other details of F.O.R terms, Taxes, Credit period, Delivery offered, Name of the Make, Detailed Specification etc., for the below Supply or Service

Sl No	Item Code	Item Description	Uom	Qty
01	---	PROCUREMENT/FABRICATION OF WALL MOUNTING CLARITY CHECKING TABLE MOC:SS304 AS PER DRAWING ENCLOSED	NO.	01

Please ensure that your offer reaches us on or before Due Date by courier OR Speed post to below office address:

*M/s. Karnataka Antibiotics and Pharmaceuticals Limited
Plot No.37, Arka The Business Centre
NTTF Main Road, Peenya Industrial Area
2nd Phase, Bengaluru-560058
Ph. No.080-23571590*

OR you can also mail us to our email: puren@kaplindia.com

NOTE:

01. PLEASE VISIT OUR SITE FOR BETTER UNDERSTANDING THE SCOPE OF WORK
02. IF YOU ARE NOT PARTICIPATING IN THE TENDER PLEASE SEND A REGRET LETTER.
03. VENDOR HAS TO QUOTE AS PER OUR TENDER IN YOUR COMPANY LETTER HEAD.

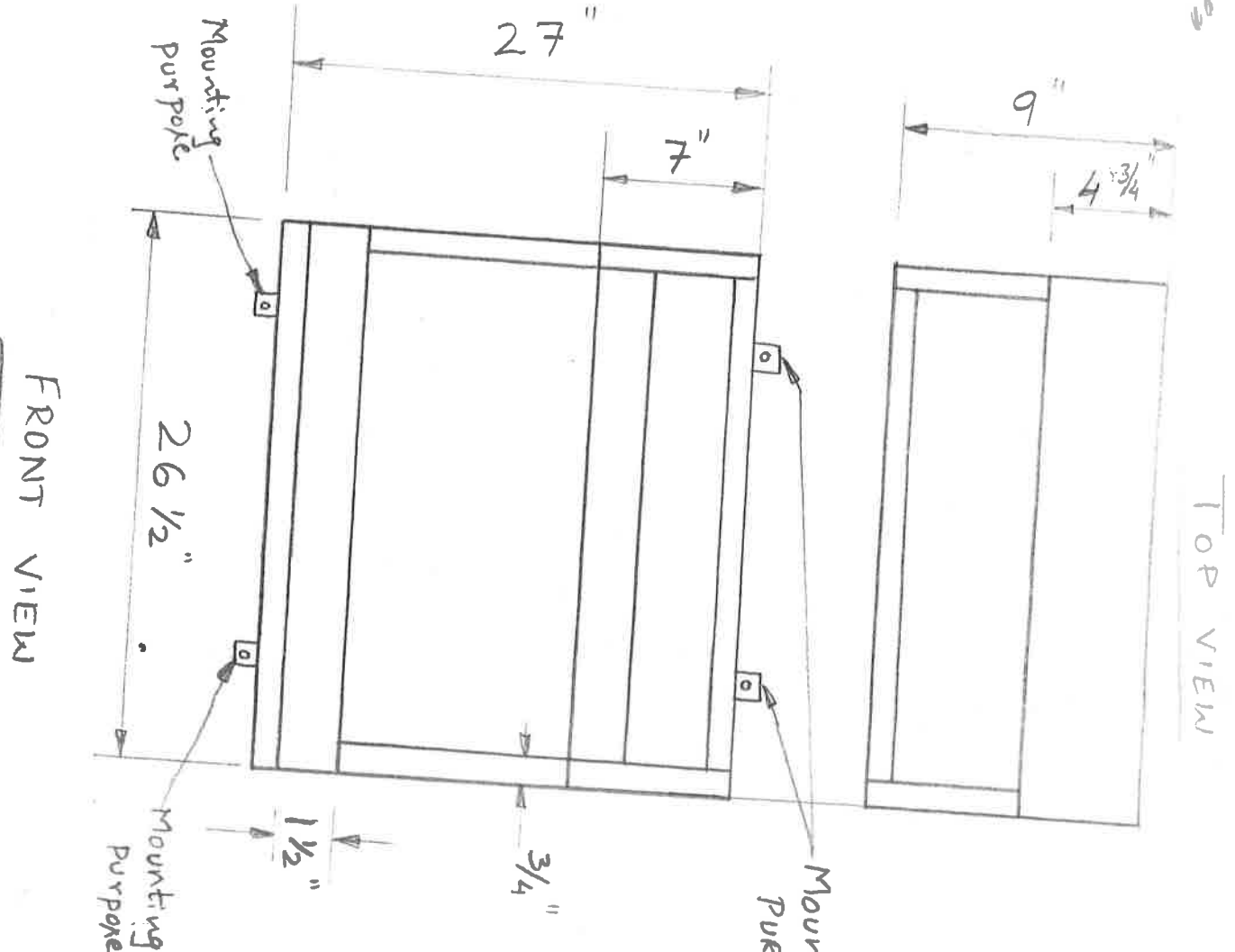
Thanking you,

Yours faithfully,
For KARNATAKA ANTIBIOTICS
& PHARMACEUTICALS LIMITED



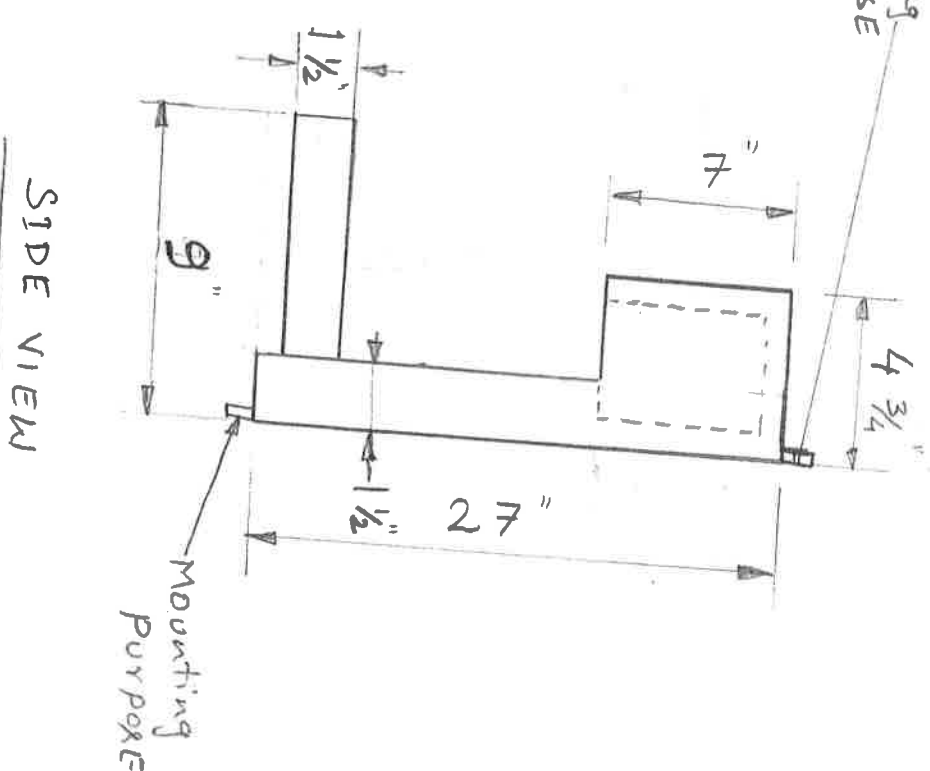
YUVARAJA. M
DY. MANAGER – PURCHASE DEPT.
MOB: 9945317873

1000



FRONT VIEW

TOP VIEW



SIDE VIEW

NOTE :- 1) ALL DIMENSION ARE IN INCHES

2) Rectangle S.S. TUBE 3/4" X 1 1/2"

CLARITY CHECKING BRAC

17/06/2